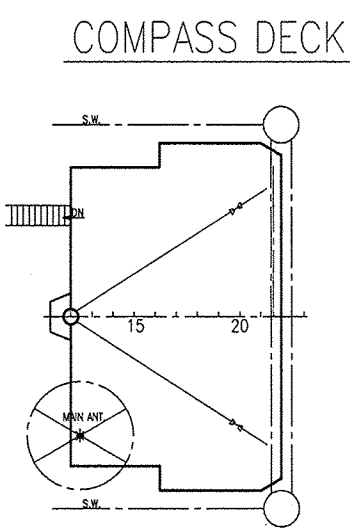
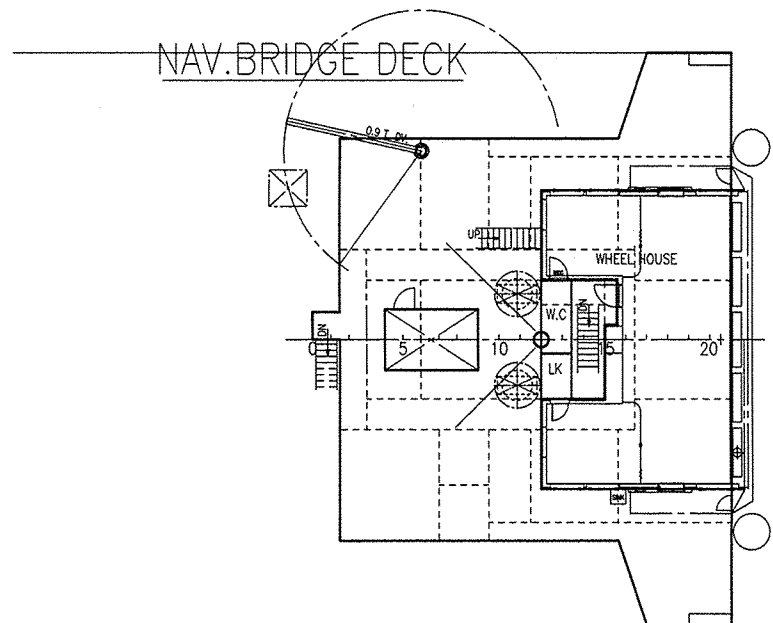
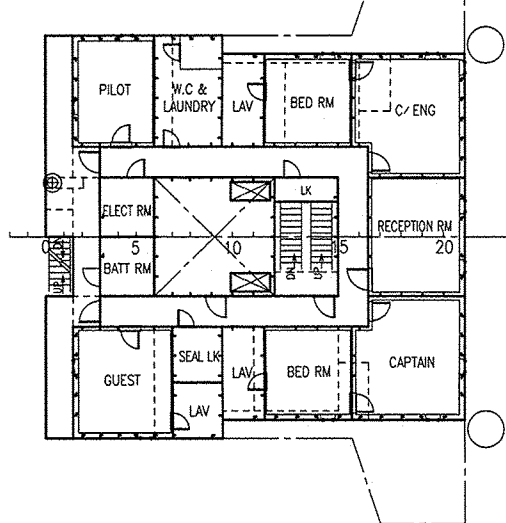


# GENERAL ARRANGEMENT FRANBO PROGRESS (IMO No.9510034)

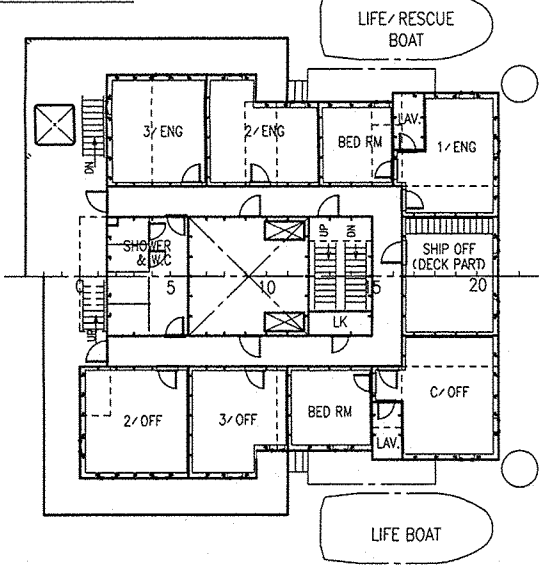
PRINCIPAL PARTICULARS		
LENGTH (O.A.)		114.58
LENGTH (P.P.)		102.55
BREADTH (M.L.D.)		18.80
DEPTH (M.L.D.)	UPPER DECK	13.00
DRAFT (DESIGNED M.L.D.)		9.20
DRAFT (SCANTLING M.L.D.)		9.20
DEADWEIGHT (ON DESIGNED DRAFT)		11,004 MT
GROSS TONNAGE (C.I.T.M. 1969)		7,350
MAIN ENGINE: AKASAKA 7UEC33LS II		x 1 set
	MAX. OUTPUT 3,965 kW x 215 min <sup>-1</sup>	
	NOR. OUTPUT 3,569 kW x 207.6 min <sup>-1</sup>	
SPEED TRIAL MAX		14.89 knots
SERVICE (AT NOR. OUTPUT OF M/E AT DES. DRAFT WITH 10% S.M.)		o.b.l. 12.3 knots
CLASS	NIPPON KAIJI KYOKAI	
CLASSIFICATION CHARACTERISTICS	NS*(BC)XII(MIN)*	
SERVICE AREA	OCEAN GOING	
POINT OF REGISTRY	PANAMA	
COMPLEMENT		
	OFFICER CLASS	10P
	CREW CLASS	9P
	GRAND TOTAL	19P



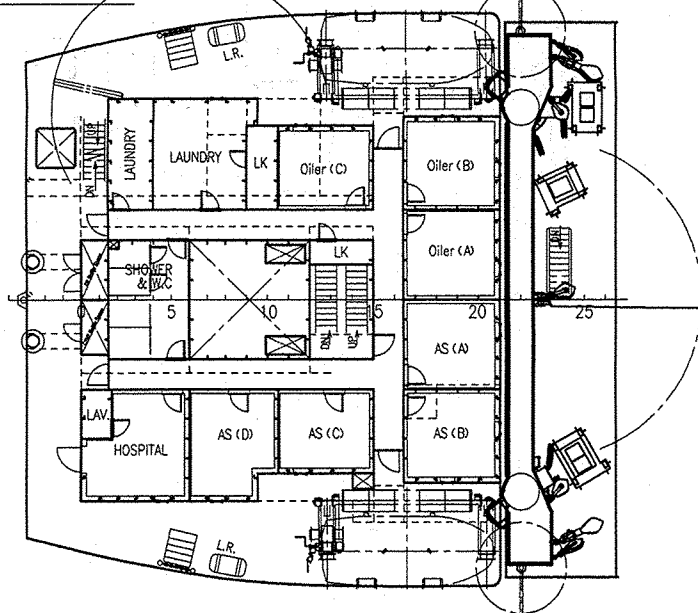
"A" DECK



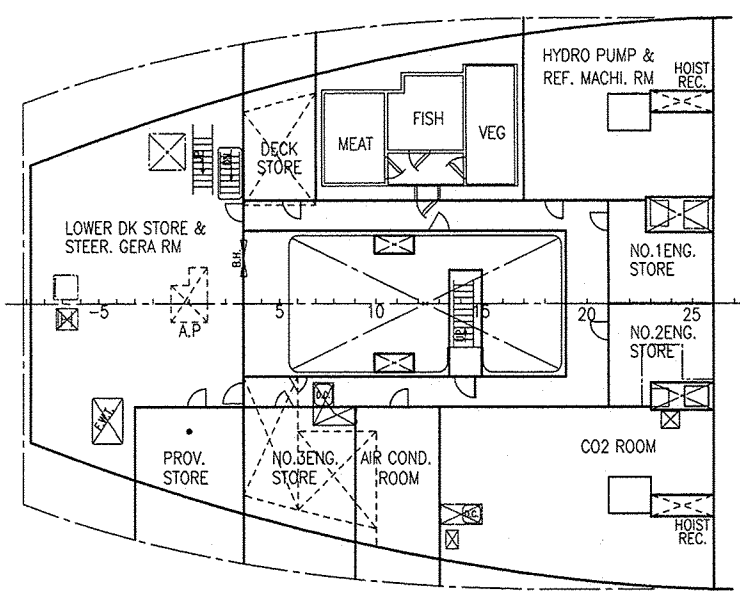
"B" DECK



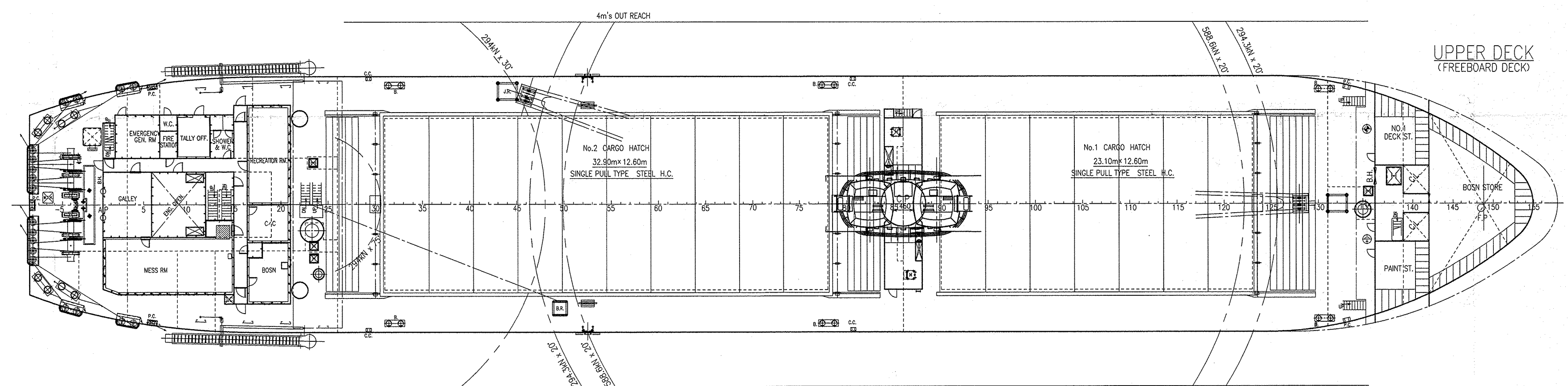
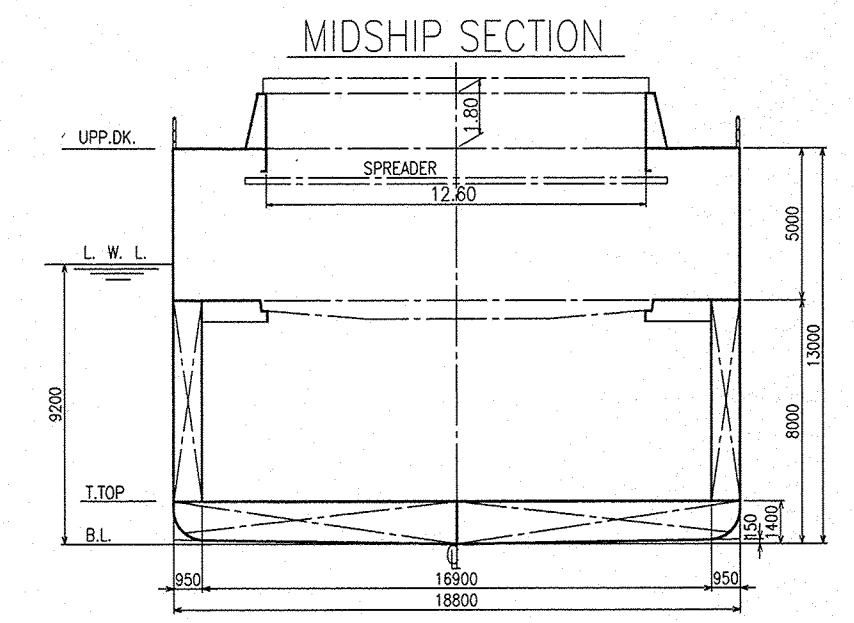
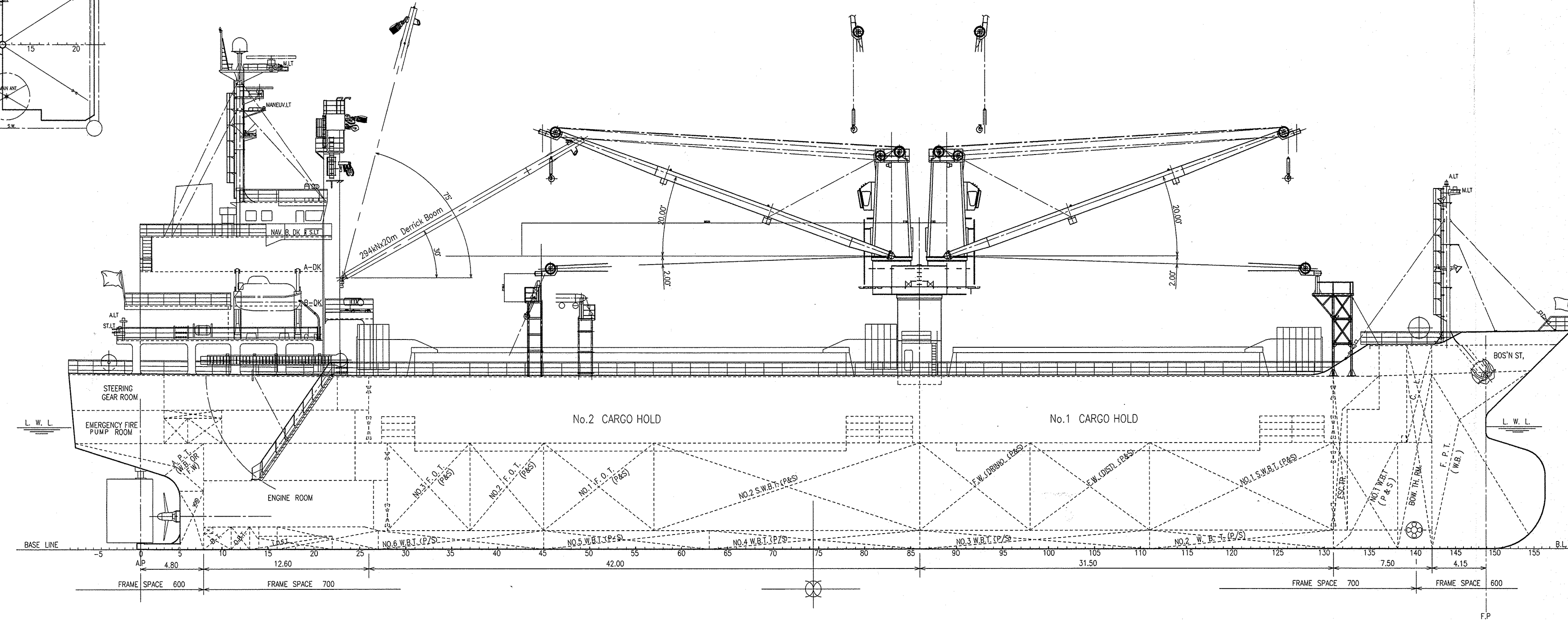
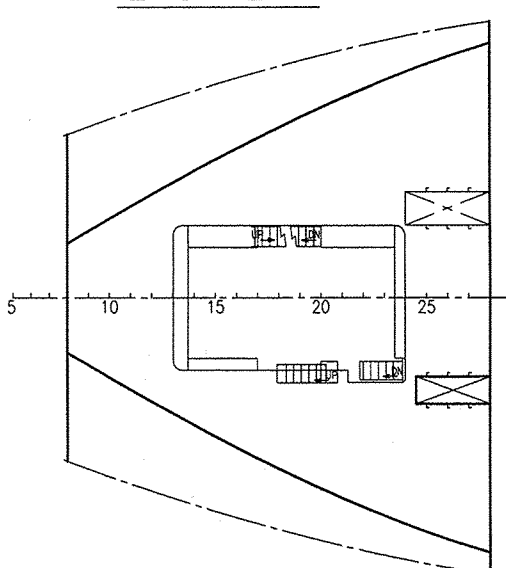
"C" DECK



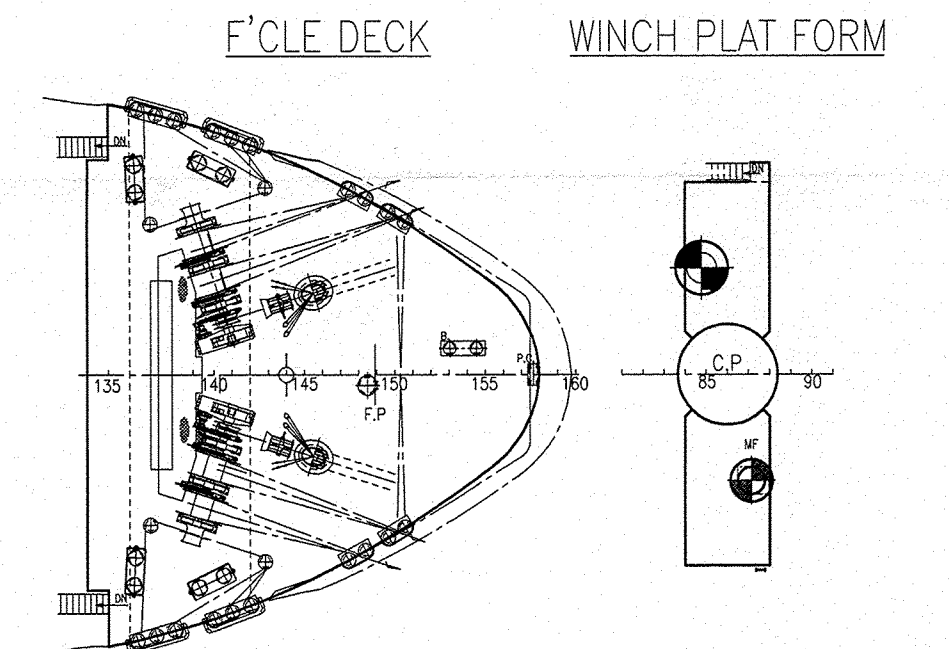
LOWER DECK



ENG. FLAT



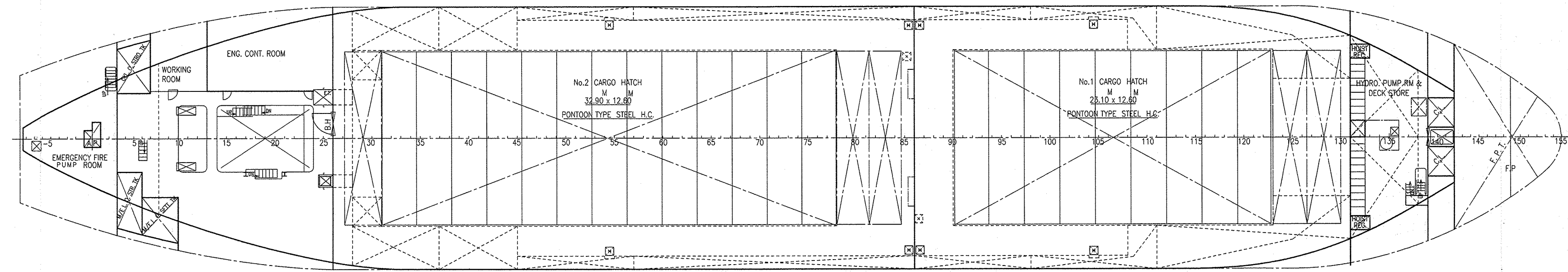
UPPER DECK  
(FREEBOARD DECK)



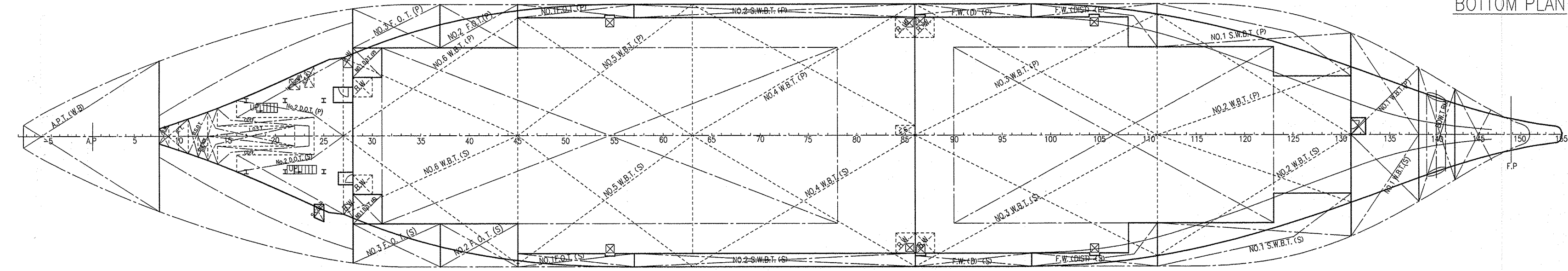
F'CLE DECK

WINCH PLAT FORM

2ND. DECK



BOTTOM PLAN



11,000DWT TYPE GENERAL CARGO VESSEL	
OWNER	FRANBO SHIPPING S.A.
SHIP NAME	FRANBO PROGRESS
BUILDER	SAIGON SHIPBUILDING INDUSTRY COMPANY LIMITED
AZ Tech. Enterp. co., Ltd.	KANEMATSU CORPORATION
-HIROSHIMA, JAPAN-	-TOKYO, JAPAN-