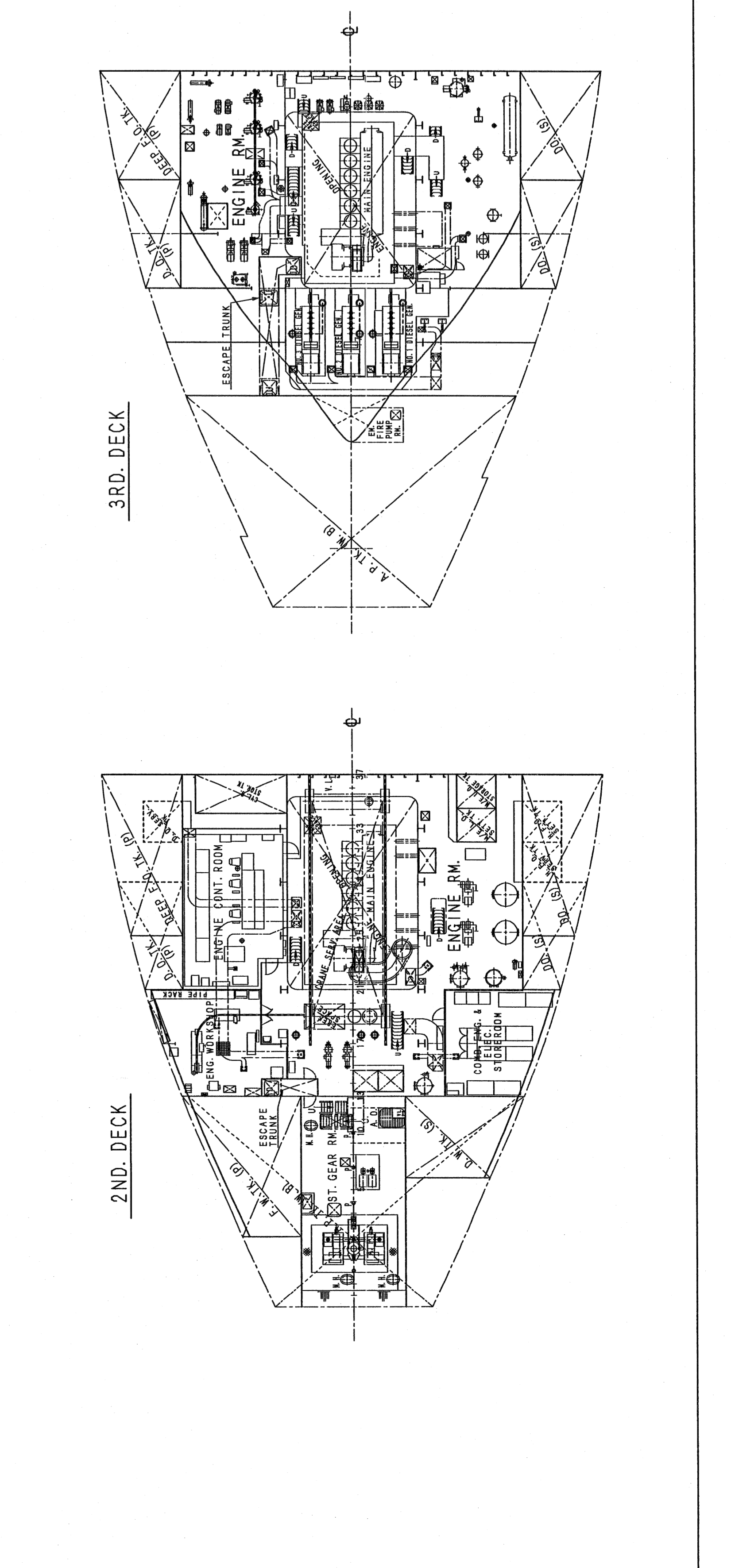
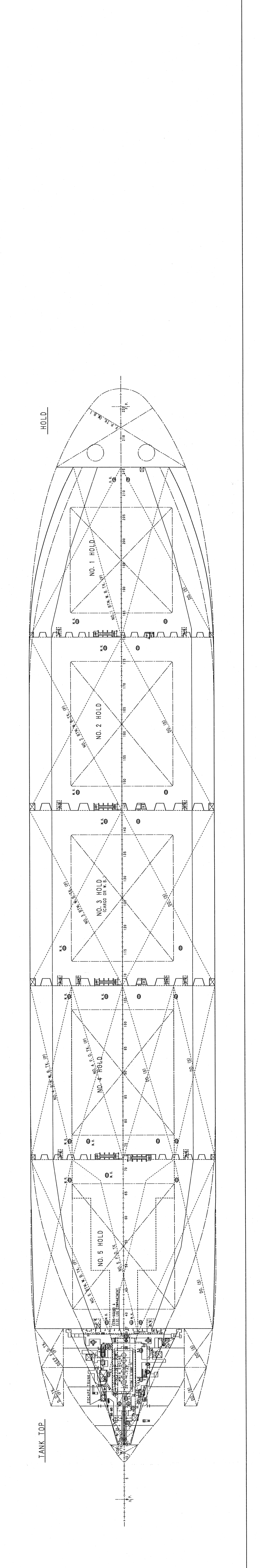
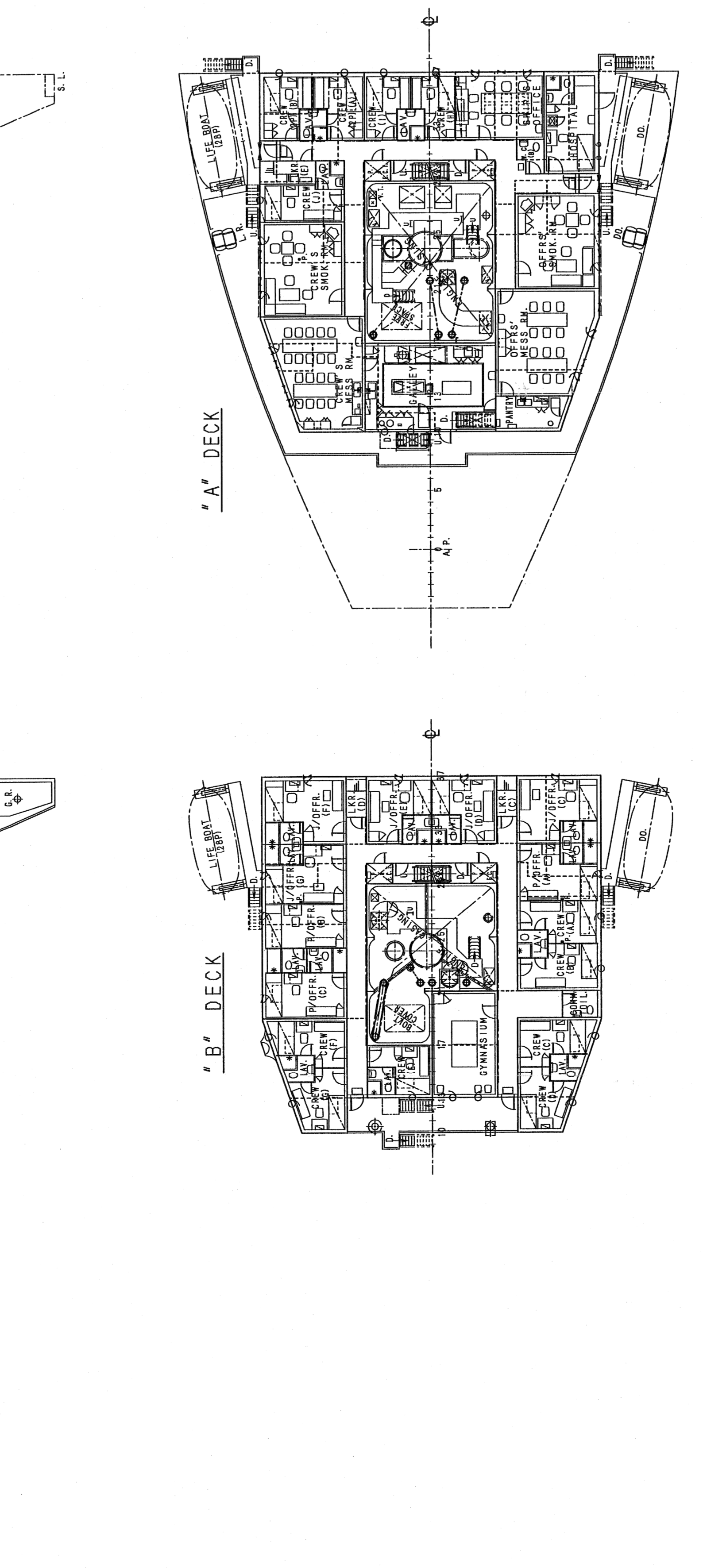
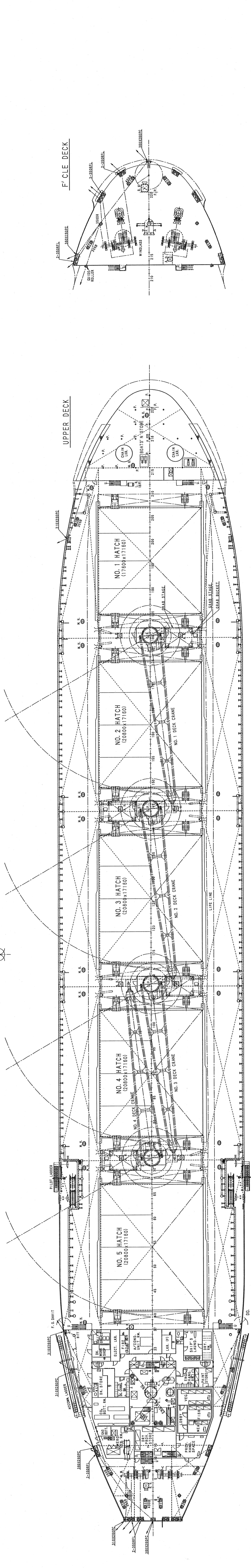
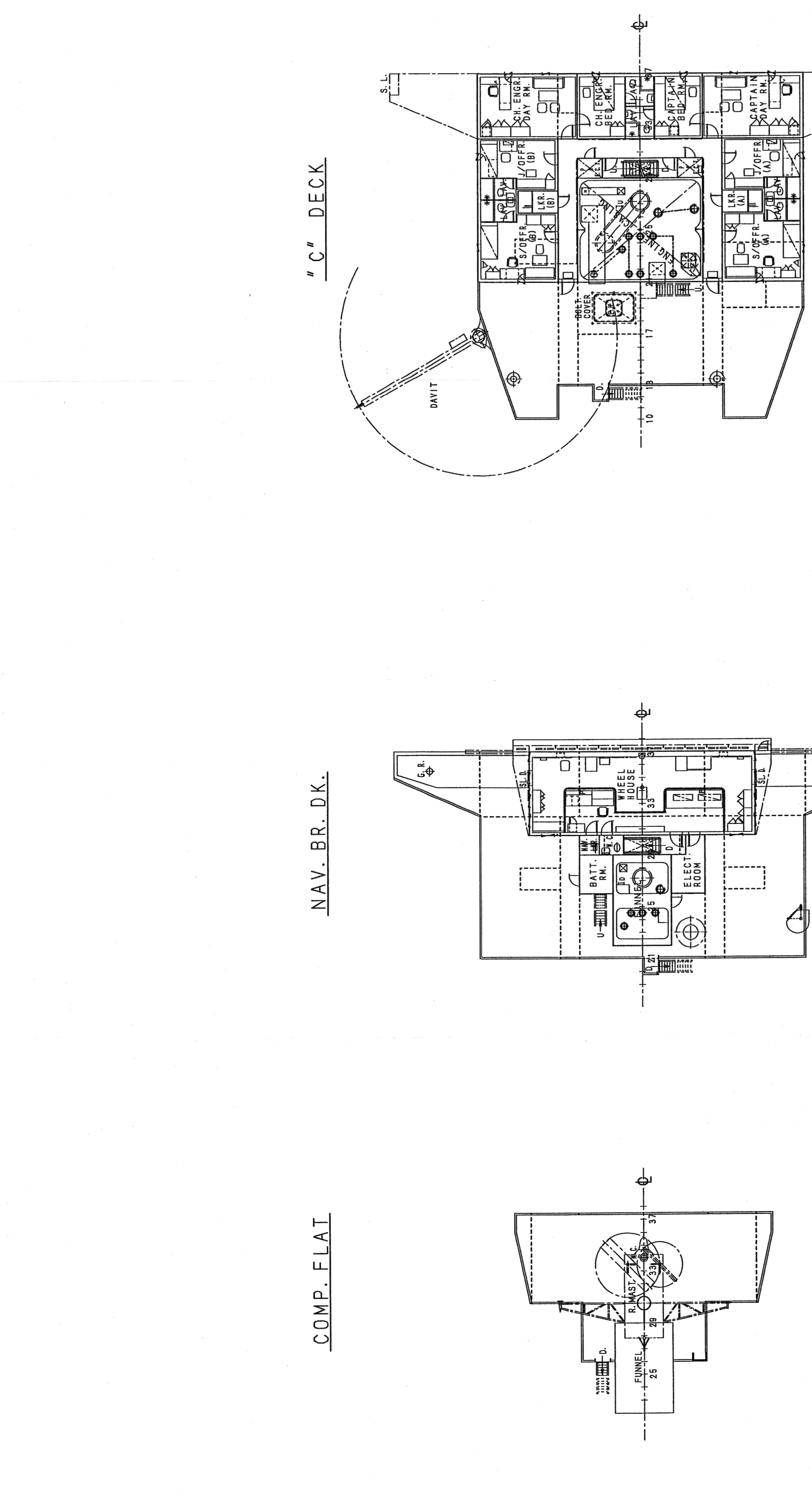
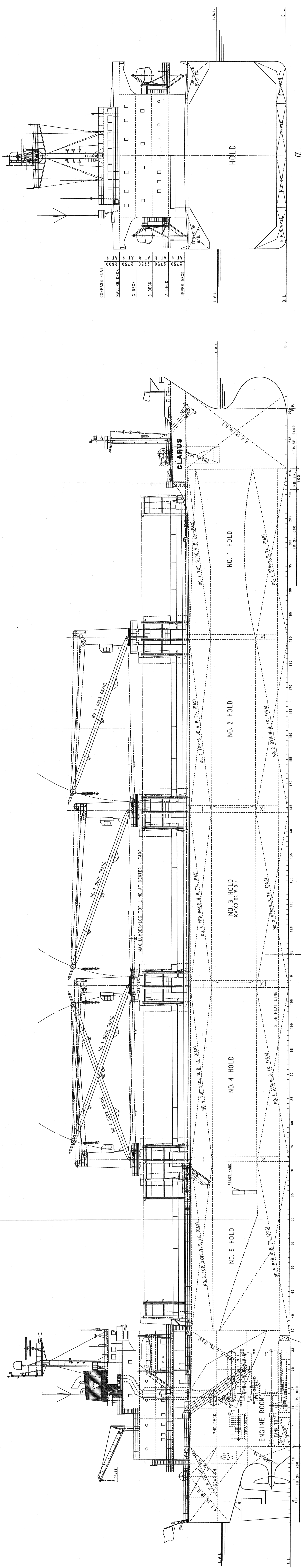


PLAN HISTORY	
12TH MAR. '89	PREPARED FOR EXHIBIT
14TH JUL. '89	INCORPORATING OWNER'S REQUIREMENT
18TH JUL. '89	PREPARED FOR S. NO. 1519/17
21ST OCT. '89	PREPARED FOR CONTRACT
JUNE 2000	PREPARED FOR APPROVAL
4TH JUNE 2001	PREPARED FOR FINISHED PLAN

GENERAL ARRANGEMENT

SCALE 1 : 200



PRINCIPAL PARTICULARS	
1. PRINCIPAL DIMENSIONS	
LENGTH (O.A.L.)	182.8 M
LENGTH (P.P.)	181.00 M
BREADTH (M.O.B.)	24.00 M
DEPTH (M.O.B.)	16.50 M
DRAUGHT (M.O.B.)	11.50 M / 11.60 M
2. TONNAGE	
GROSS (INTERNATIONAL)	27,011 T
NET (INTERNATIONAL)	15,011 T
3. DEADWEIGHT (DESIGN/SCANTL.)	43,437 / 46,513 M.T.
4. MAIN ENGINE	WITTELL MANBOW ASSAMC 1 SET
N.C.S. NO.	7,428, 8.W.X.111.G.R.P.M.
N.S.R.	6,317, 8.W.X.105.L.R.P.M.
5. SERVICE SPEED	14.8 KTS.
INT. N.S.R. & FULL LOAD DRAFT OF 11.0M WTR. 15% SEA WAGE IN	
6. COMPLEMENT	TOTAL 28 P.
7. CLASS	MC NBP, BULK CARRIER, STRENGTHENED
	CLASS NO. 2, AND 4
	MAY BE EMPTY (ESP. WASH TANK)
8. PORT OF REGISTRY	BASEL, SWITZERLAND
9. PORT OF ANTWERP	HELP
10. CALL SIGN	WASSHARINER 2 A
11. OWNER	CO. LTD. DAMAND WORKS
12. BUILDER	31ST. DET. 2009
13. KEEL Laid	17th MAR. 2001
14. LAUNCHED	14th JUN. 2001
15. DELIVERED	14th JUN. 2001

THE INFORMATION CONTAINED HEREIN IS THE PROPERTY OF MITSUBISHI ENGINEERING & SHIPBUILDING CO., LTD. AND IS TO BE USED ONLY FOR THE PURPOSES SPECIFIED HEREIN. IT IS TO BE KEPT CONFIDENTIAL AND NOT TO BE DISCLOSED OR REPRODUCED WITHOUT THE EXPRESS PERMISSION OF M.E.S.B. CO., LTD.

FINISHED PLAN

MITSUBISHI ENGINEERING & SHIPBUILDING CO., LTD.
GENERAL MANAGER
S. NO. 1516 **GLARUS**
D. W. 46,200 M.T. BULK CARRIER
一般配船
GENERAL ARRANGEMENT

DESIGNER: J. I. 87
DATE: 2001. 6. 27
SCALE: 1/200
DRAWING NO.: 1KDG001
LIST NO.: HA-02