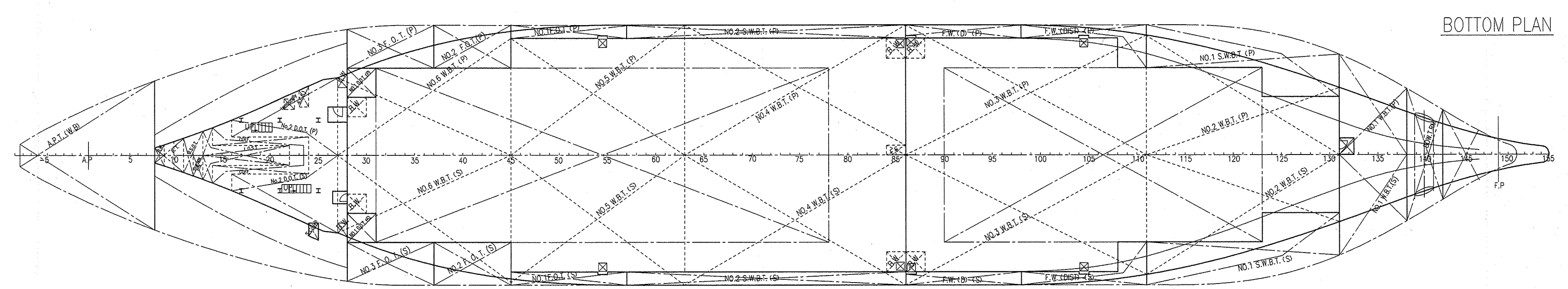
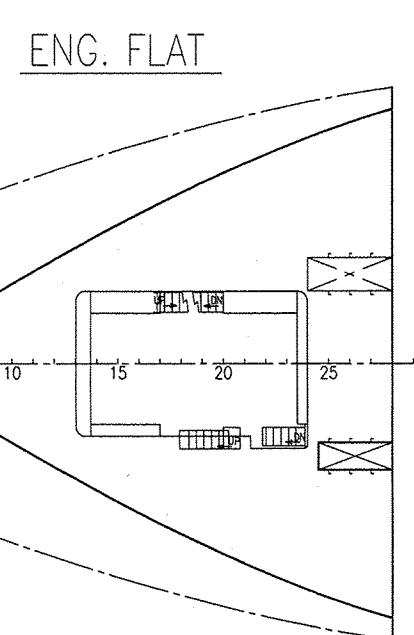
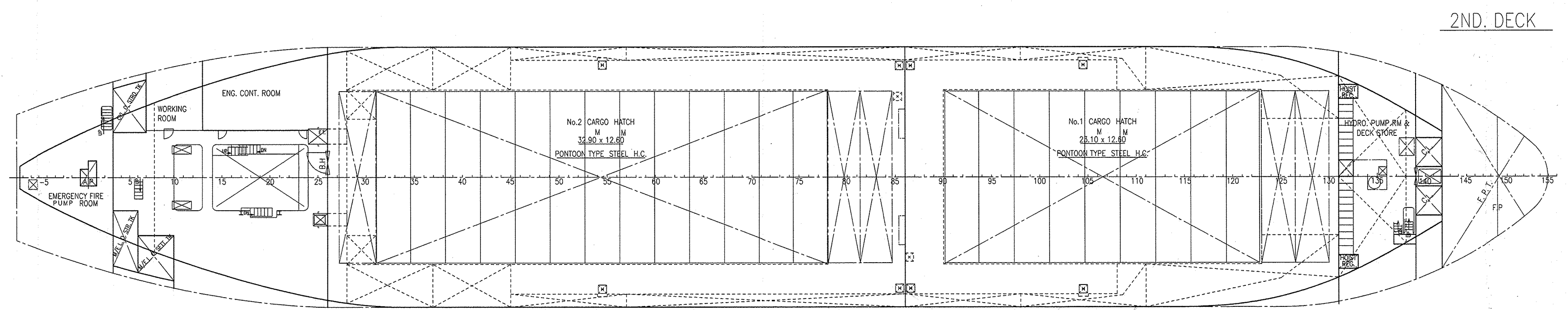
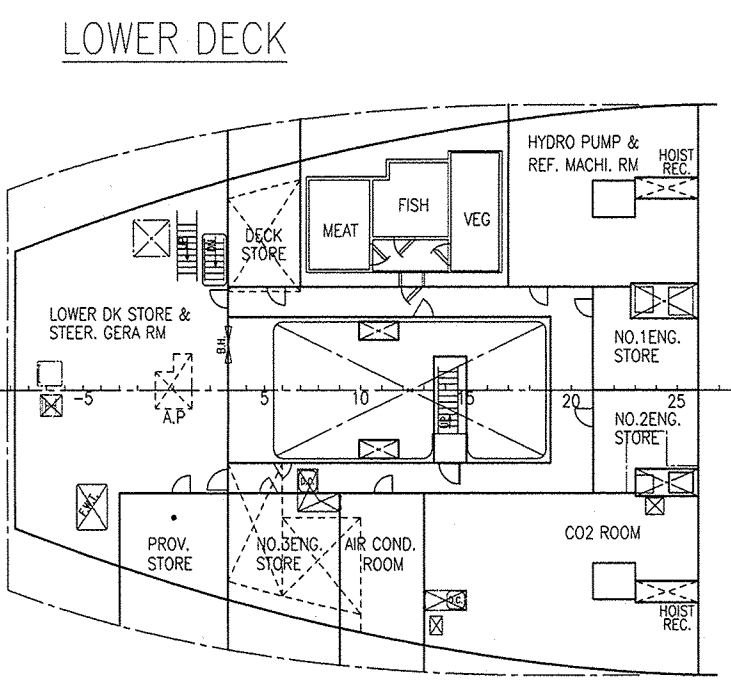
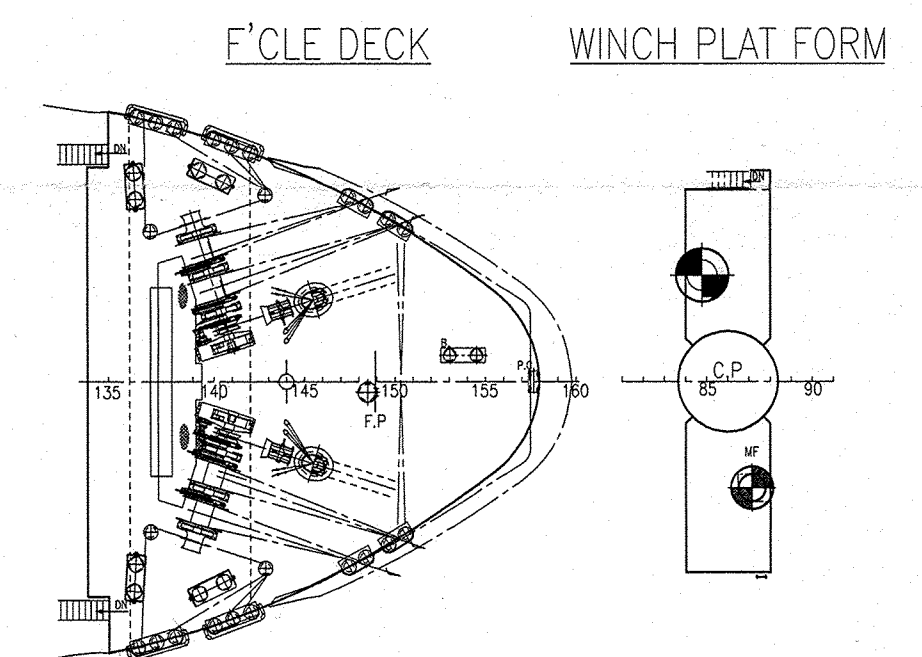
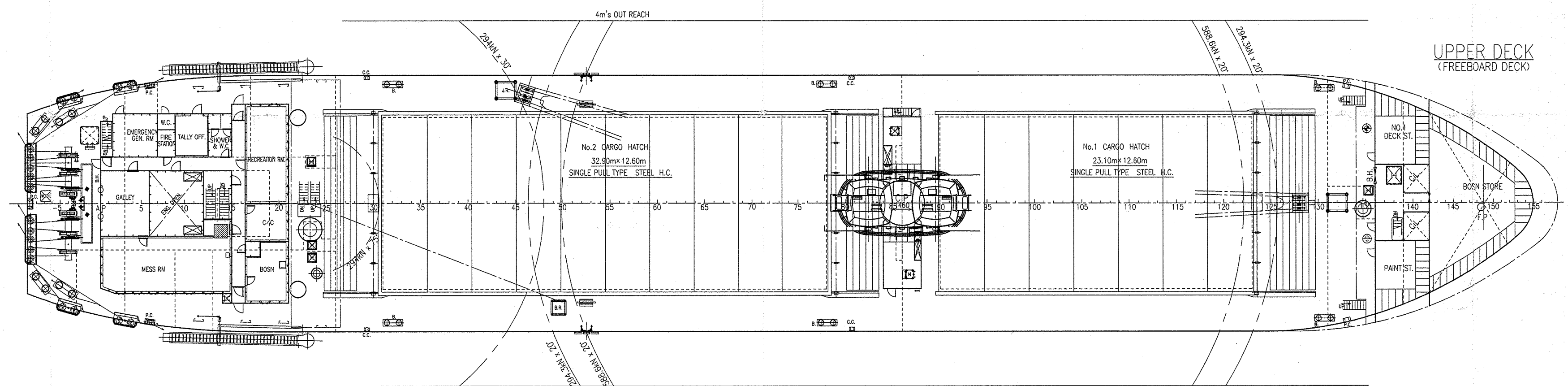
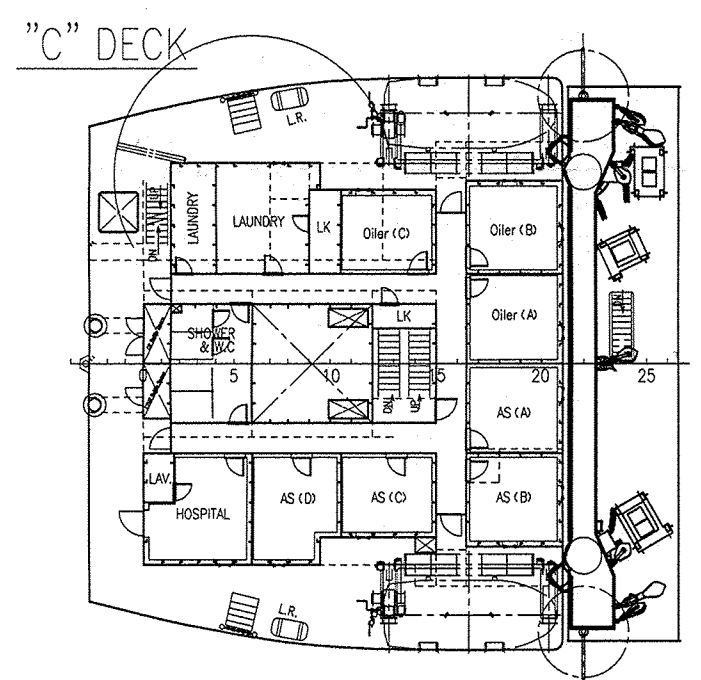
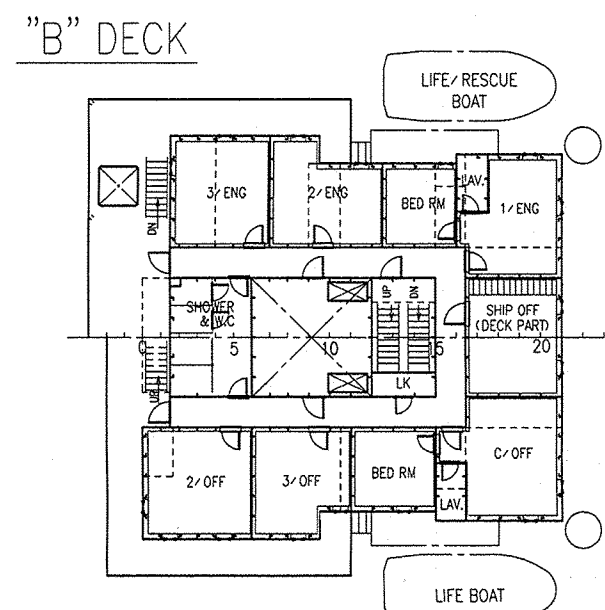
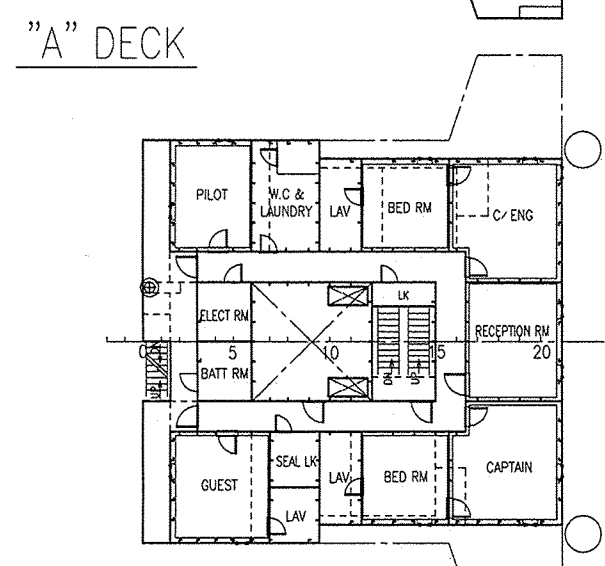
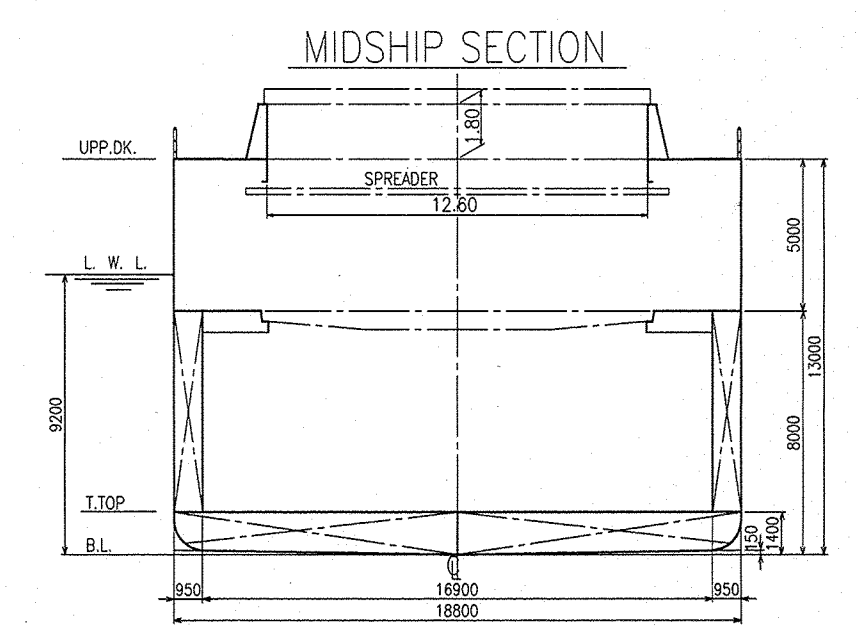
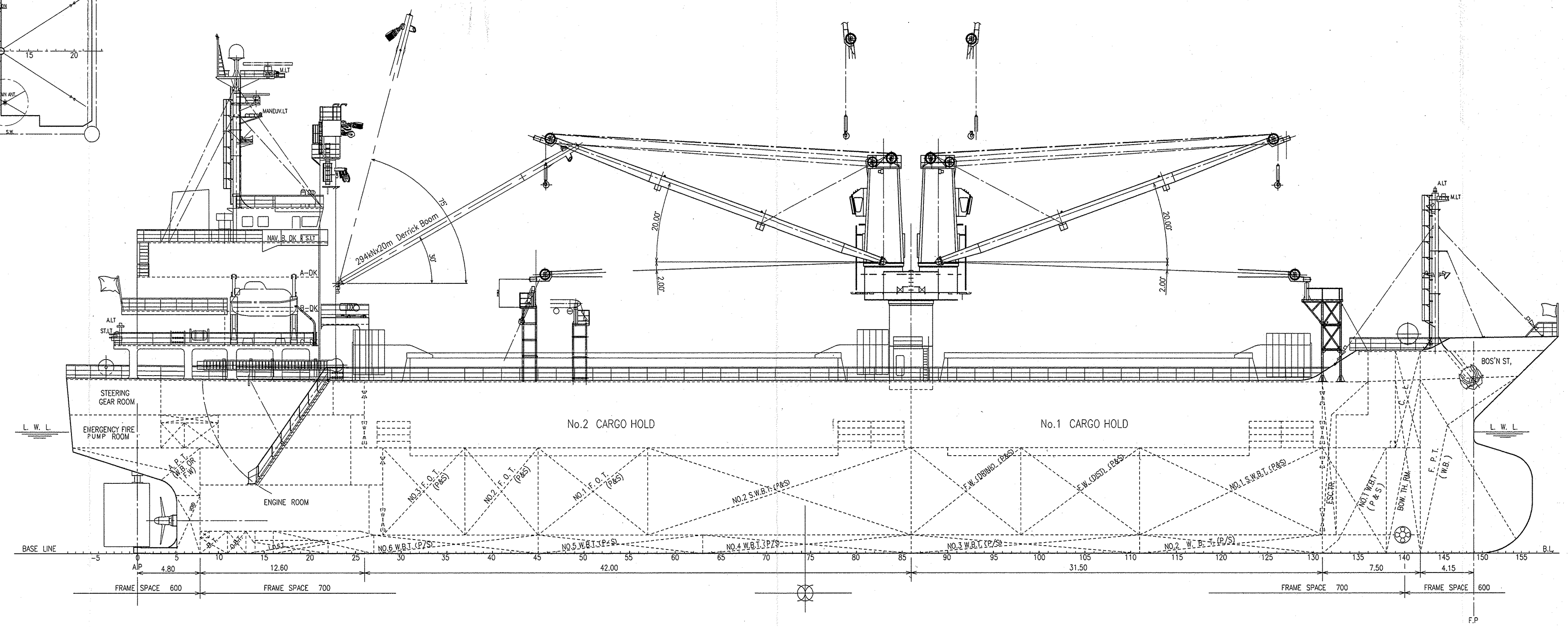
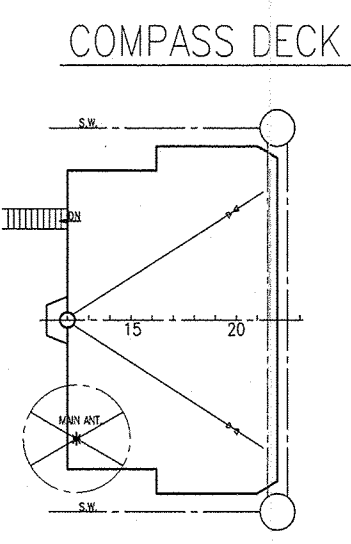
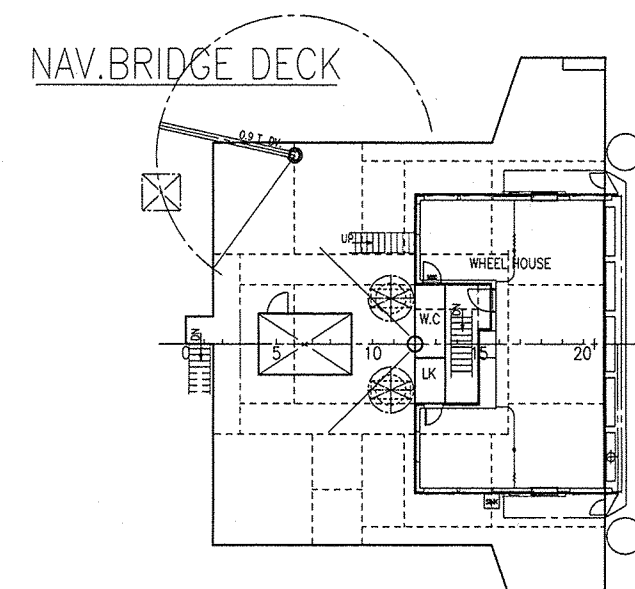


GENERAL ARRANGEMENT FRANBO PROSPECT (IMO No.9512692)

PRINCIPAL PARTICULARS

LENGTH (O.A.)	114.58	M
LENGTH (P.P.)	102.55	M
BREADTH (M.L.D.)	18.80	M
DEPTH (M.L.D.)	13.00	M
DRAFT (DESIGNED M.L.D.)	9.20	M
DRAFT (SCANTLING M.L.D.)	9.20	M
DEADWEIGHT (ON DESIGNED DRAFT)	11,004	MT
GROSS TONNAGE (I.C.T.M. 1969)	7,350	GRT
MAIN ENGINE : AKASAKA 7UEC3LS II	x 1 set	
MAX. OUTPUT 3,965 kW x 215 min ⁻¹		
NOR. OUTPUT 3,569 kW x 207.6 min ⁻¹		
SPEED TRIAL MAX	15.41	knots
SERVICE AT NOR. OUTPUT OF M/E AT DES. DRAFT WITH 15% S.M.J.	12.3	knots
CLASS :	NIPPON KAIKI KYOKAI	
CLASSIFICATION CHARACTERS :	NS+1BC 100 MINS*	
SERVICE AREA :	OCEAN GOING	
PORT OF REGISTRY :	PANAMA	
COMPLEMENT :		
	OFFICER CLASS	10P
	CREW CLASS	9P
	GRAND TOTAL	19P



11,000DWT TYPE GENERAL CARGO VESSEL	
OWNER	FRANBO TRANSPORTATION S.A.
SHIP NAME	FRANBO PROSPECT
BUILDER	SAIGON SHIPBUILDING INDUSTRY COMPANY LIMITED
AZ Tech. Enterp. co.,ltd.	KANAMATSU CORPORATION
-HIROSHIMA, JAPAN-	-TOKYO, JAPAN-